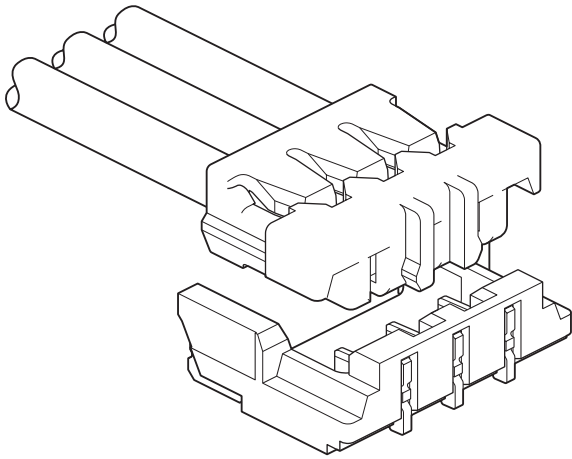


# ADH CONNECTOR



**1.3mm pitch/Disconnectable Crimp style connectors**



**This ADH connector is compact and low profile type, height 1.9 mm and width 4.3 mm, 1.3 mm pitch wire-to-board connector.**

- Space saving
- Top entry but side feed type
- Connector for power supply (3 A)

## Specifications

- Current rating: 3 A AC, DC  
(Apply 1 A for the 3rd circuit of 5-circuit.) (AWG #26)
- Voltage rating: 30 V AC, DC
- Temperature range: -25°C to +85°C  
(including temperature rise in applying electrical current)
- Contact resistance: Initial value/ 20 mΩ max.  
After environmental tests/ 30 mΩ max.
- Insulation resistance: 100 MΩ min.
- Withstanding voltage: 500 VAC/minute
- Applicable wire: Conductor size/ AWG #28 to #26  
Insulation O.D./ 0.63 mm, 0.98 mm

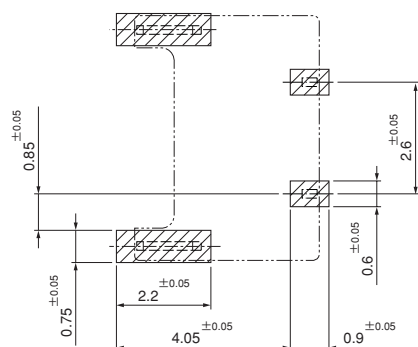
- \* Refer to "General Instruction and Notice when using Terminals and Connectors" at the end of this catalog.
- \* Contact JST for details.
- \* Compliant with RoHS.

## Standards

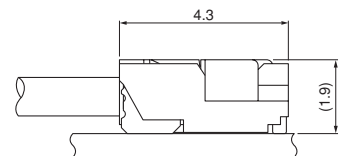
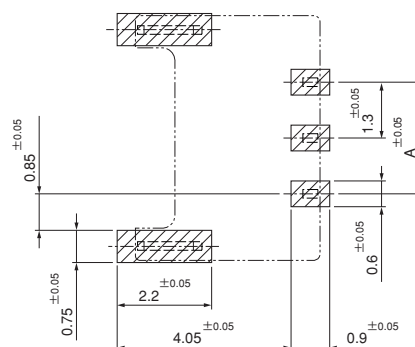
Recognized E60389

## PC board layout and Assembly layout

<2 circuits>



<3, 5 circuits>

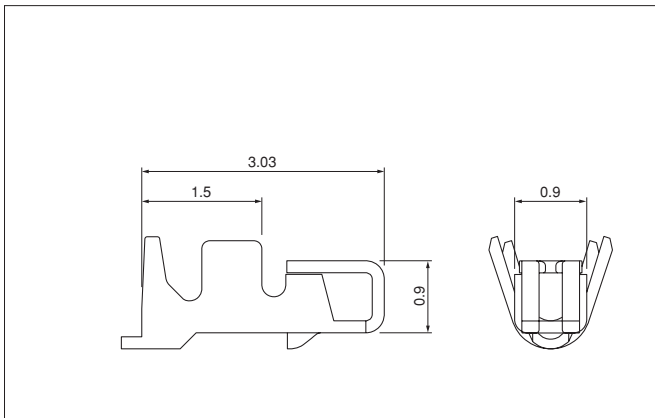


Note: 1. The above figure is the figure viewed from the connector mounting side.

2. Tolerances are non-cumulative: ±0.05 mm for all centers. The dimensions above should serve as a guideline. Contact JST for details.

# ADH CONNECTOR

## Contact



Model No.	Applicable wire		Insulation O.D. (mm)	Q'ty/reel
	mm <sup>2</sup>	AWG#		
<b>SADH-002G-P0.2</b>	0.14	26	0.98	25,000
<b>SADH-003G-P0.2</b>	0.08	28	0.63	25,000

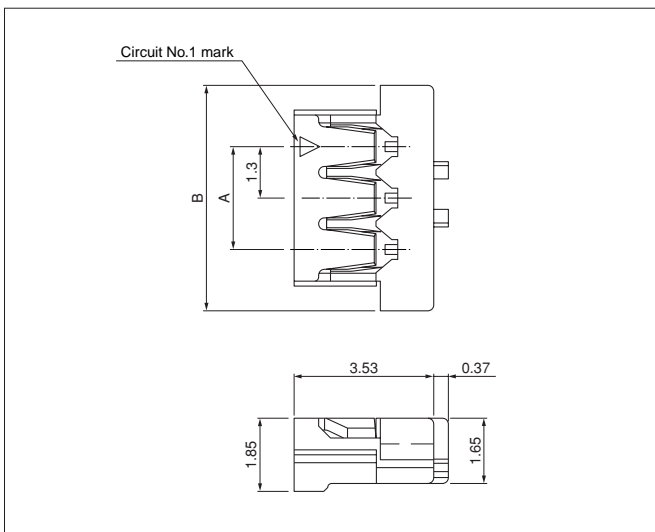
### Material and Finish

Copper alloy, nickel-undercoated, gold-plated

### RoHS compliance

Contact	Crimping machine	Applicator		
		Crimp applicator	Dies	Crimp applicator with dies
<b>SADH-002G-P0.2</b>	AP-K2N	MKS-L-10-3	MK/SADH-002-02	APLMK SADH002-02
		—	—	—
<b>SADH-003G-P0.2</b>	AP-K2N	MKS-L-10-3	MK/SADH-003-02	APLMK SADH003-02
		—	—	—

## Housing



Circuits	Model No.	Dimensions (mm)		Q'ty/bag
		A	B	
3	<b>ADHR-03V-H</b>	2.6	5.7	1,000
5	<b>ADHR-05V-S(HF)</b>	5.2	8.3	1,000

### Material

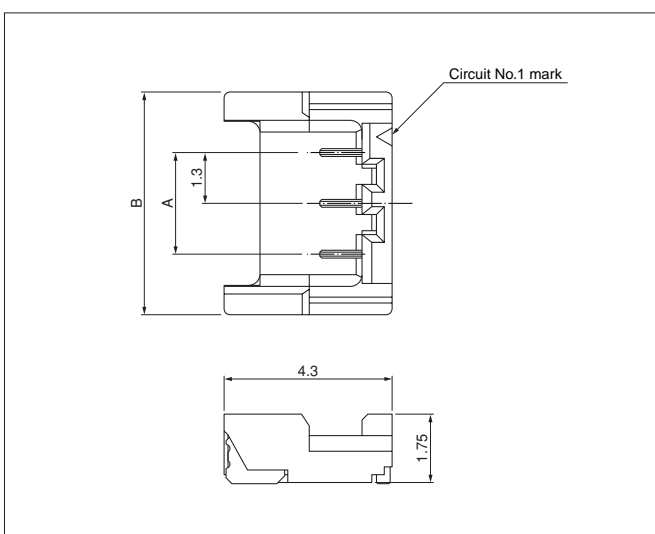
PBT, UL94V-0

### RoHS compliance

<For reference> As the color identification, the following alphabet shall be put in the underlined part. For availability, delivery and minimum order quantity, contact JST.

ex. **ADHR-03V-H**  
H...gray S...natural

## Shrouded header



Circuits	Model No.	Dimensions (mm)		Q'ty/reel
		A	B	
*2	<b>BM02(3)B-ADHSS-GAN-ETB</b>	2.6	5.7	5,000
3	<b>BM03B-ADHKS-GAN-ETB</b>	2.6	5.7	5,000
5	<b>BM05B-ADHKS-GAN-ETB(HF)</b>	5.2	8.3	5,000

### Material and Finish

Contact: Copper alloy, copper-undercoated, tin-plated (nickel-stripe)

Housing: heat resisting resin, UL94V-0

Reinforcement: Copper alloy, copper-undercoated, tin-plated (reflow treatment)

### RoHS compliance

These products display (LF)(SN) on a label. (2, 3 circuits)  
Note: 1. These products listed above are supplied on embossed-tape.  
2. \*2-circuit product: Removing center pin from 3-circuit product.

<For reference> As the color identification, the following alphabet shall be put in the underlined part. For availability, delivery and minimum order quantity, contact JST.

ex. **BM03B-ADHKS-GAN-ETB**  
K...black S...white