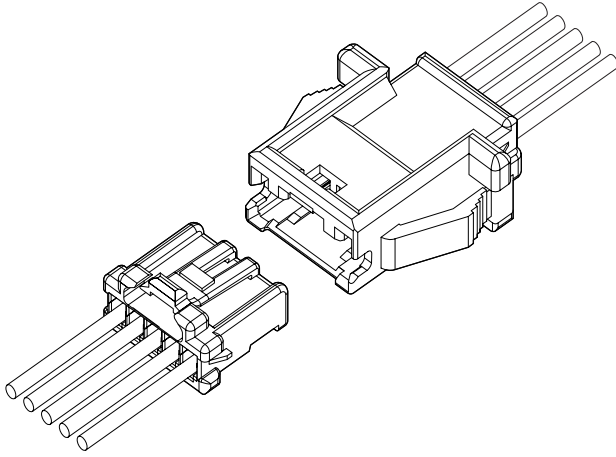




# PNI CONNECTOR

2.0mm pitch/Disconnectable Crimp style wire-to-wire connectors



**This connector is a 2.0 mm pitch wire-to-wire connector, having incomplete mating prevention mechanism.**

- Inertial lock structure
- Finger-friendly design
- Secure locking structure
- Mountable on a variety of panels
- Secondary retainer

## Specifications

- Current rating: 3 A AC, DC (AWG #22)
- Voltage rating: 100 V AC, DC
- Temperature range: -25°C to +85°C  
(including temperature rise in applying electrical current)
- Contact resistance: Initial value/ 15 mΩ max.  
After environmental tests/ 25 mΩ max.
- Insulation resistance: 1,000 MΩ min.
- Withstanding voltage: 800 VAC/minute
- Applicable wire: AWG #28 to #22
- Applicable panel thickness: 0.5 to 2.0 mm

\* Refer to "General Instruction and Notice when using Terminals and Connectors" at the end of this catalog.

\* Contact JST for details.

\* Compliant with RoHS.

## Standards

Recognized E60389

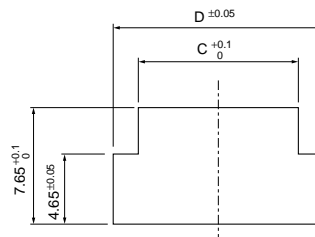
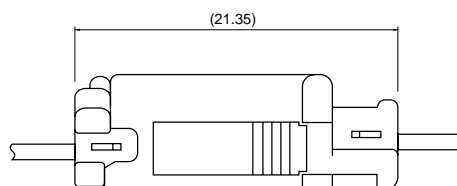
Certified LR20812

## Panel layout and Assembly layout

Without panel locks



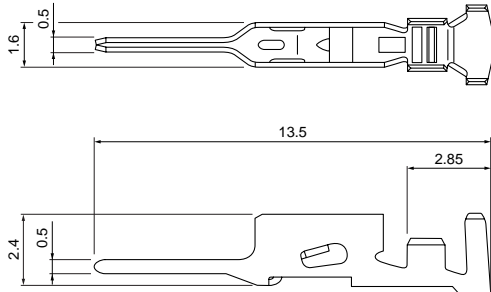
With panel locks



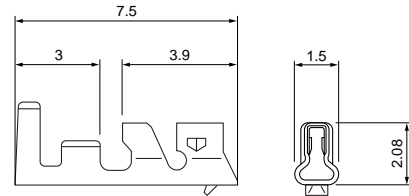
Note: C and D dimensions: Refer to receptacle housing.

## Contact

### Pin contact



### Socket contact



### Pin contact

Model No.	Applicable wire		Insulation O.D. (mm)	Q'ty/reel
	mm <sup>2</sup>	AWG#		
SPNI-001T-P0.5	0.13~0.33	26~22	1.0~1.5	9,000
SPNI-002T-P0.5	0.08~0.21	28~24	0.9~1.5	9,000

#### Material and Finish

Copper alloy, tin-plated (reflow treatment)

### Socket contact

Model No.	Applicable wire		Insulation O.D. (mm)	Q'ty/reel
	mm <sup>2</sup>	AWG#		
SPND-001T-C0.5	0.13~0.33	26~22	1.0~1.5	8,000
SPND-002T-C0.5	0.08~0.22	28~24	0.8~1.5	8,000

#### Material and Finish

Copper alloy, tin-plated (reflow treatment)

### RoHS compliance

Contact	Crimping machine	Applicator		
		Crimp applicator	Dies	Crimp applicator with dies
SPNI-001T-P0.5	AP-K2N	MKS-L	MK/SPAL-001-05	APLMK SPAL001-05
		—	—	—
SPNI-002T-P0.5	AP-K2N	MKS-L	MK/SPAL-002-05	APLMK SPAL002-05
		—	—	—

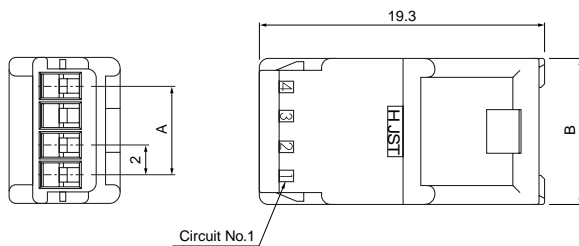
### RoHS compliance

Contact	Crimping machine	Applicator		
		Crimp applicator	Dies	Crimp applicator with dies
SPND-001T-C0.5	AP-K2N	MKS-L	MK/SPND-001-05	APLMK SPND001-05
		*MKS-SC	SC/SPND-001-05	APLSC SPND001-05
SPND-002T-C0.5	AP-K2N	MKS-L	MK/SPAD/ND-002-05	APLMK SPAD/ND002-05
		—	—	—

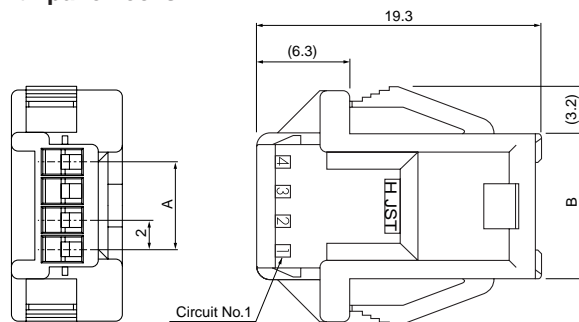
Note: \*Strip-crimp applicator

## Receptacle housing (for pin contact)

### Without panel locks



### With panel locks



Circuits	Model No.		Dimensions (mm)				Q'ty/bag
	Without panel locks	With panel locks	A	B	C	D	
2	PNIRR-02VF	PNIRR-02V	—	6.0	6.4	9.7	1,000
3	PNIRR-03VF	PNIRR-03V	4.0	8.0	8.4	11.7	1,000
4	PNIRR-04VF	PNIRR-04V	6.0	10.0	10.4	13.7	500
5	PNIRR-05VF	PNIRR-05V	8.0	12.0	12.4	15.7	500
6	PNIRR-06VF	PNIRR-06V	10.0	14.0	14.4	17.7	500
8	PNIRR-08VF	PNIRR-08V	14.0	18.0	18.4	21.7	500
10	PNIRR-10VF	PNIRR-10V	18.0	22.0	22.4	25.7	500

#### Material

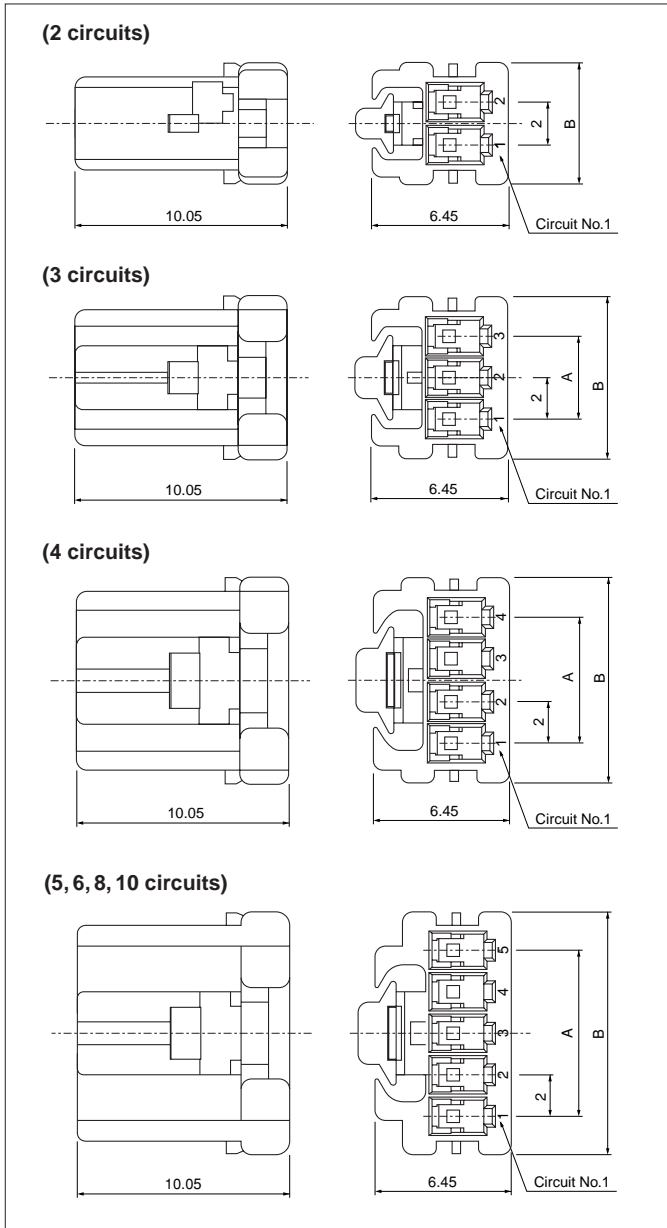
PA 66, UL94V-0, natural (white)

### RoHS compliance

Note: C and D dimensions: Panel layout dimensions

# PNI CONNECTOR

## Socket housing (for socket contact)



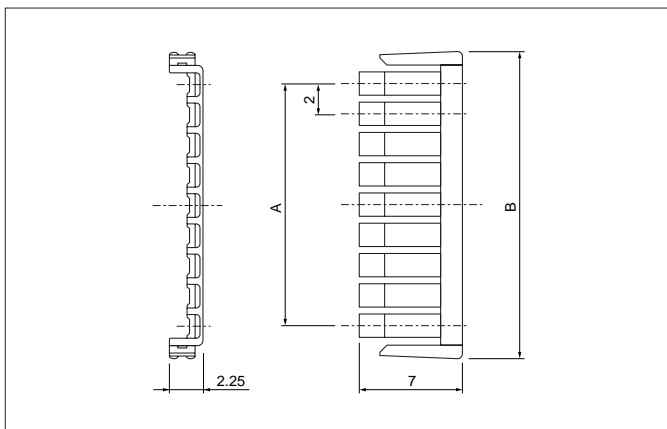
Circuits	Model No.	Dimensions (mm)		Q'ty/ bag
		A	B	
2	<b>PNIRP-02V-S</b>	–	5.7	1,000
3	<b>PNIRP-03V-S</b>	4.0	7.7	1,000
4	<b>PNIRP-04V-S</b>	6.0	9.7	1,000
5	<b>PNIRP-05V-S</b>	8.0	11.7	1,000
6	<b>PNIRP-06V-S</b>	10.0	13.7	1,000
8	<b>PNIRP-08V-S</b>	14.0	17.7	1,000
10	<b>PNIRP-10V-S</b>	18.0	21.7	1,000

### Material

Glass-filled PBT, UL94V-0, natural (white)

**RoHS compliance**

## Retainer



Circuits	Model No.	Dimensions (mm)		Q'ty/ bag
		A	B	
2	<b>PNIS-02V</b>	–	6.3	1,000
3	<b>PNIS-03V</b>	4.0	8.3	1,000
4	<b>PNIS-04V</b>	6.0	10.3	1,000
5	<b>PNIS-05V</b>	8.0	12.3	1,000
6	<b>PNIS-06V</b>	10.0	14.3	1,000
8	<b>PNIS-08V</b>	14.0	18.3	1,000
10	<b>PNIS-10V</b>	18.0	22.3	1,000

### Material

Glass-filled PA 66, UL94V-0, natural (ivory)

**RoHS compliance**