

## 1.9mm Round Subminiature "Gull Wing" Lead (Square Base) LEDs

MODEL NO : 95-21UBC/C430/TR7

### Features :

- PACKAGE IN 12mm TAPE ON 7" DIAMETER REELS.
- COMPATIBLE WITH AUTOMATIC PLACEMENT EQUIPMENT.
- COMPATIBLE WITH INFRARED AND VAPOR PHASE REFLOW SOLDER PROCESS.
- EIA STD PACKAGE.
- I.C. COMPATIBLE.
- MONO-COLOR TYPE.

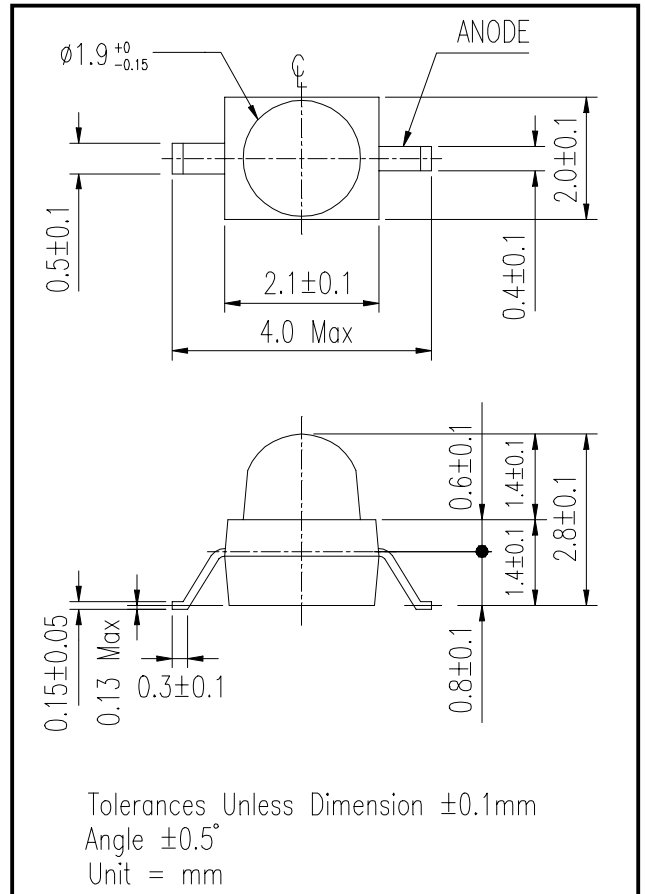
### Descriptions :

- THE 95-21 SMD TAPING IS MUCH SMALLER THAN LEADED COMPONENTS. THUS ENABLE SMALLER BOARD SIZE. HIGHER PACKING DENSITY. REDUCED STORAGE SPACE AND FINALLY SMALLER EQUIPMENT TO BE OBTAINED.
- BESIDES, LIGHT WEIGHT MAKES THEM IDEAL FOR MINIATURE APPLICATION, ECT.
- FURTHERMORE BY AUTOMATION ASSEMBLY MACHINES THE ACCURACY IS ANTICIPATED.

### Applications :

- AUTOMOTIVE : BACKLIGHTING IN DASHBOARD AND SWITCH.
- TELECOMMUNICATION : INDICATOR AND BACKLIGHTING IN TELEPHONE AND FAX.
- INDICATOR AND BACKLIGHT FOR AUDIO AND VIDEO EQUIPMENT.
- INDICATOR AND BACKLIGHT FOR BATTERY DRIVEN EQUIPMENT.
- SMALL INDICATOR FOR OUTDOOR APPLICATIONS.
- INDICATOR AND BACKLIGHT IN OFFICE EQUIPMENT.
- FLAT BACKLIGHT FOR LCD, SWITCH AND SYMBOL.
- GENERAL USE.

### Package Dimensions :



PART NO.	CHIP		Lens Color
	Material	Emitted Color	
95-21UBC/C430/TR7	GaN/Sic Substrate	Blue	Water Clear

OFFICE : NO. 25,Lane 76,Sec.3, Chung Yang Rd., Tucheng 236, Taipei, Taiwan, R.O.C.

TEL : 886-2-2267-2000,2267-9936

FAX : 886-2-2267-6244,22676189,22676306

<http://www.everlight.com>



# EVERLIGHT ELECTRONICS CO.,LTD.

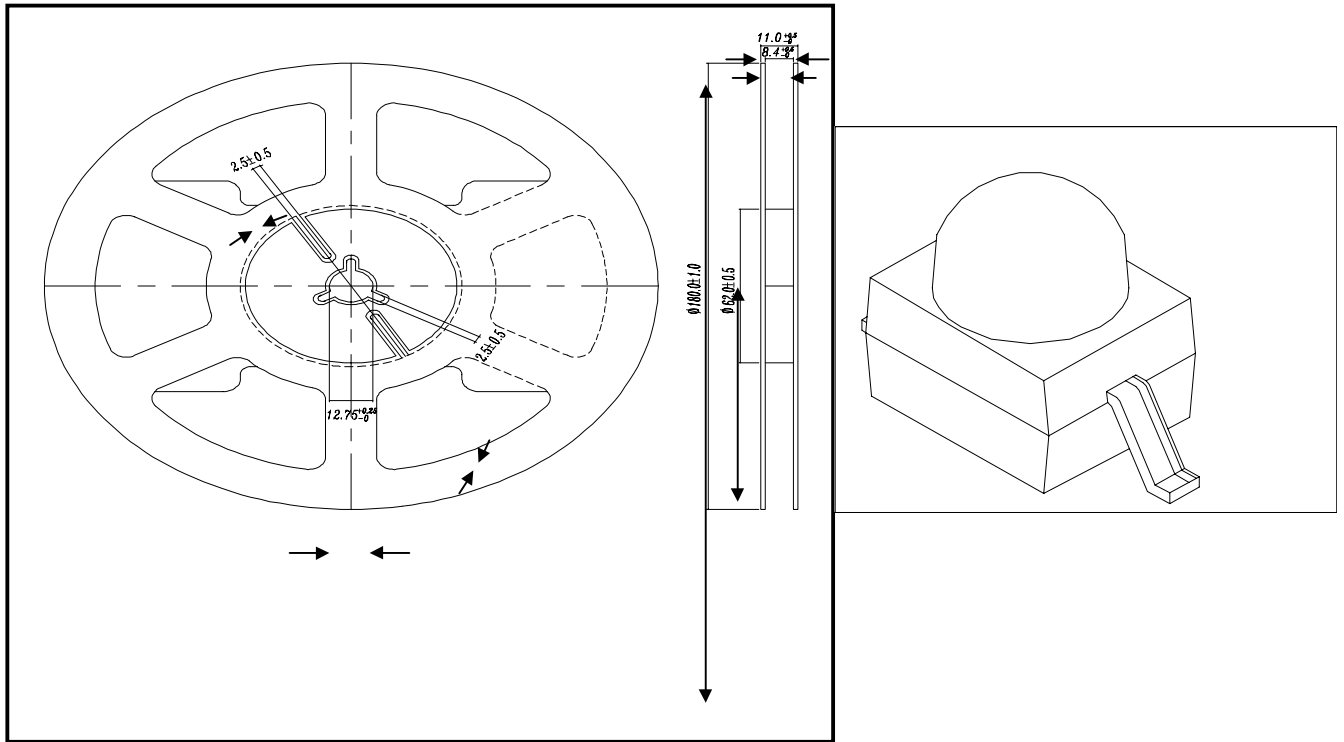
DEVICE NUMBER : DLE-952-159 REV : 1.1

ECN : \_\_\_\_\_ PAGE : 2/5

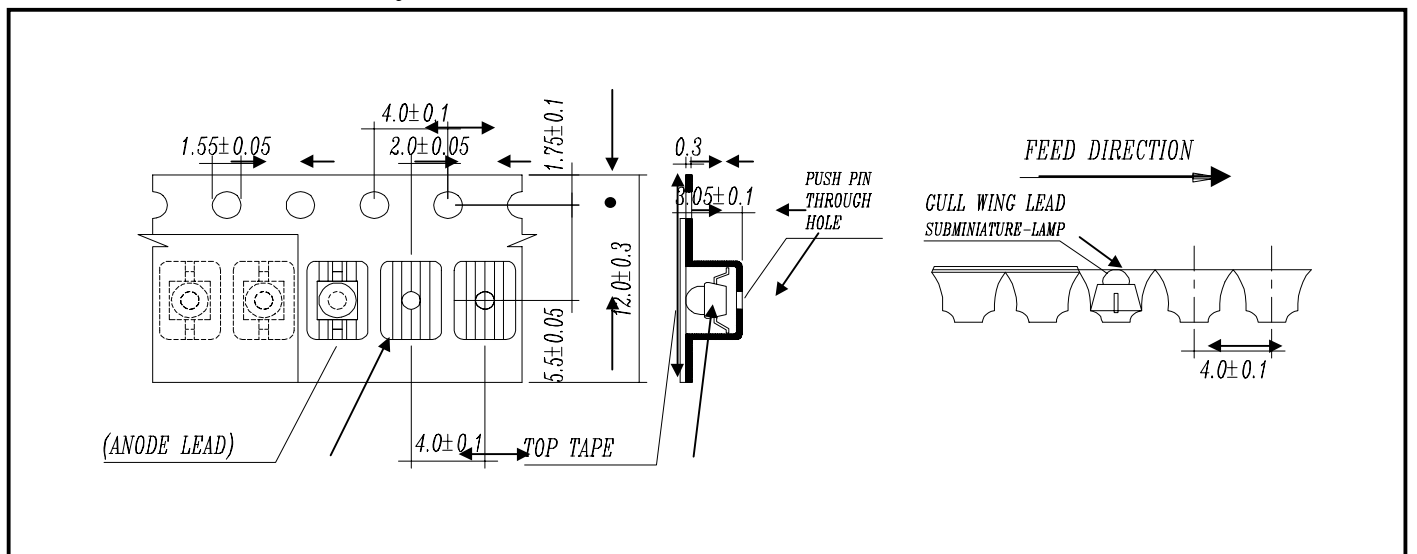
## 1.9mm Round Subminiature "Gull Wing" Lead (Square Base) LEDs

MODEL NO : 95-21UBC/C430/TR7

### ■ Package Dimensions



### ■ Loaded Quantity Per Reel 1000 Pcs/Reel



1. ALL DIMENSIONS ARE IN MILLIMETERS.
2. LEAD SPACING IS MEASURED WHERE THE LEAD EMERGE FROM THE PACKAGE
3. PROTRUDED RESIN UNDER FLANGE 1.5 mm (0.59") MAX.



# EVERLIGHT ELECTRONICS CO.,LTD.

DEVICE NUMBER : DLE-952-159 REV : 1.1

ECN : \_\_\_\_\_ PAGE : 3/5

## 1.9mm Round Subminiature "Gull Wing" Lead (Square Base) LEDs

MODEL NO : 95-21UBC/C430/TR7

### ■ Absolute Maximum Ratings at Ta = 25°C

Parameter	Symbol	Rating	Unit
Reverse Voltage	Vr	5	V
Forward Current	If	30	mA
Operating Temperature	Topr	-30 ~ +80	°C
Storage Temperature	Tstg	-40 ~ +100	°C
Soldering Temperature	Tsol	260 ± 5 for 5 sec	°C
Electrostatic Discharge	ESD	1000	V
Power Dissipation	Pd	140	mW
Peak Forward Current(Duty 1/10 @ 1KHZ)	If(Peak)	70	mA

### ■ Electronic Optical Characteristics :

Parameter	Symbol	MIN.	TYP.	MAX.	Unit	Condition
Luminous intensity	Iv	160	203	----	mcd	If = 20mA
Viewing Angle	2θ 1/2	----	25	----	deg	
Peak Wavelength	λ p	----	428	----	nm	
Dominant Wavelength	λ d	----	466	----	nm	
Spectrum Radiation Bandwidth	△λ	----	65	----	nm	
Forward Voltage	Vf	----	3.8	4.5	V	
Reverse Current	Ir	----	----	10	μA	Vr=5V



# EVERLIGHT ELECTRONICS CO.,LTD.

DEVICE NUMBER : DLE-952-159 REV : 1.1  
ECN : \_\_\_\_\_ PAGE : 4/5

## 1.9mm Round Subminiature "Gull Wing" Lead (Square Base) LEDs

MODEL NO : 95-21UBC/C430/TR7

### ■ Reliability Test Item And Condition

NO.	Item	Test Conditions	Test Hours/ Cycle	Sample Size	Ac/Re
1	Solder Heat	TEMP : 260°C ± 5 °C	5 sec	76 pcs	0/1
2	Temperature Cycle	H : +85°C 30 min ↑ 5 min ↓ L : -55°C 30 min	50 cycle	76 pcs	0/1
3	Thermal Shock	H : +100°C 5 min ↑ 10 sec ↓ L : -10°C 30 min	50 cycle	76 pcs	0/1
4	High Temperature Storage	TEMP. : +100°C	1000 hrs	76 pcs	0/1
5	Low Temperature Storage	TEMP. : -55°C	1000 hrs	76 pcs	0/1
6	DC Operating Life	If = 20 mA	1000 hrs	76 pcs	0/1
7	High Temperature / High Humidity	85°C / 85% R.H.	1000 hrs	76 pcs	0/1

**1.9mm Round Subminiature "Gull Wing" Lead (Square Base) LEDs**

MODEL NO : 95-21UBC/C430/TR7

**Typical Electro-Optical Characteristic Curves**

