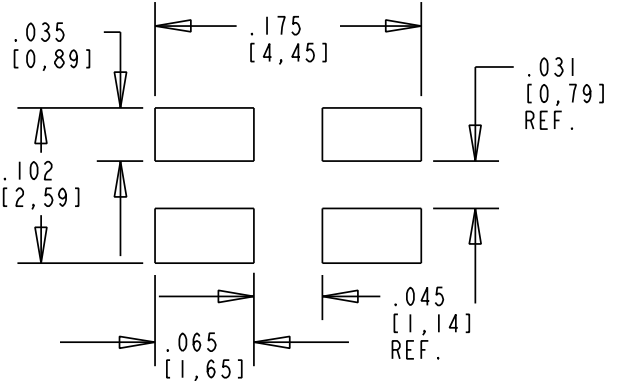
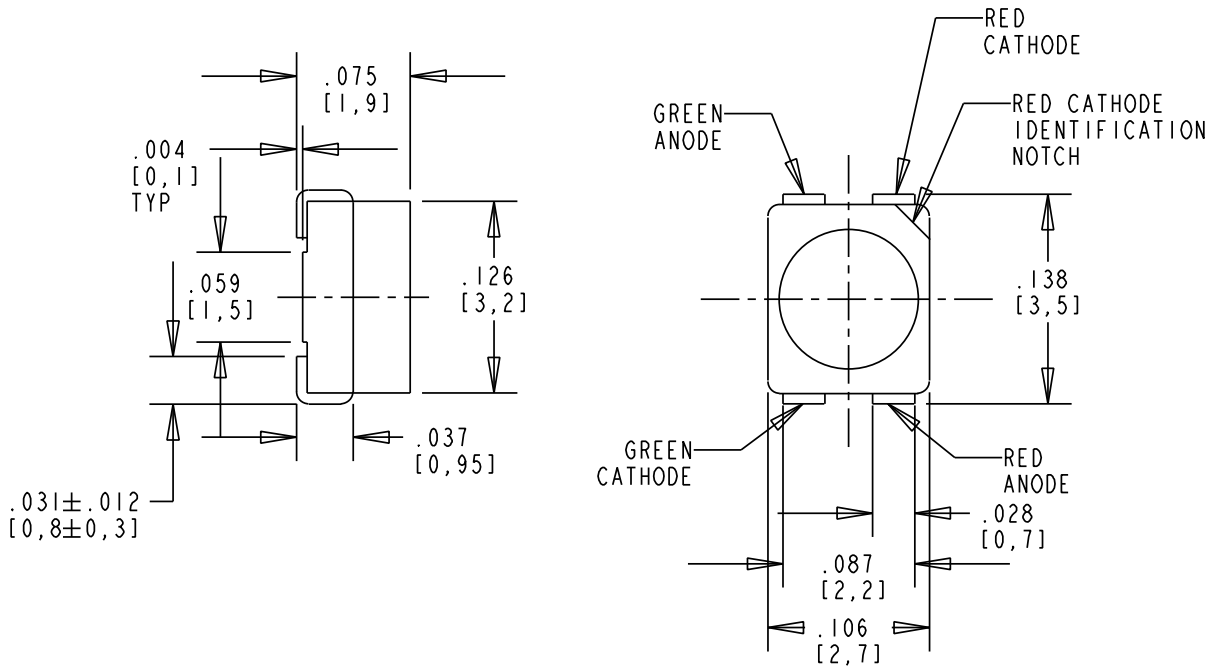


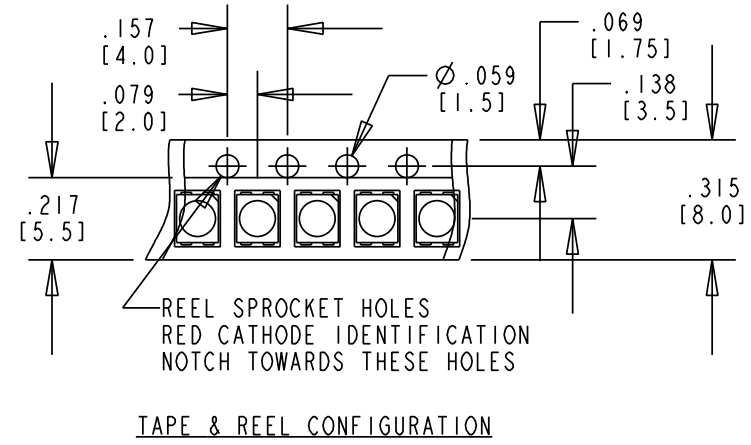
| BI-COLOR OPERATING CHARACTERISTICS AT T _a = 25 °C AMBIENT | | | | | | | | | | | | | | | | | | |
|--|-----------------|---------------------|---------------------|------|--------------------------|------|------|----------------------|------|----------------------|------|--------------------------|------|------|-----------|------|---------|------|
| DIALIGHT P/N | COLOR | I _F (mA) | FORWARD VOLTAGE (V) | | LUMINOUS INTENSITY (mcd) | | | REVERSE CURRENT (μA) | | PEAK WAVELENGTH (nm) | | DOMINANT WAVELENGTH (nm) | | | REVISIONS | | | |
| | | | TYP. | MAX. | MIN. | TYP. | MAX. | TYP. | MAX. | TYP. | MAX. | TYP. | MIN. | TYP. | MAX. | REV. | ECN. | DRN. |
| 597-7701-202 | SUPER RED GREEN | 10 | 2.0 | 2.5 | 4.5 | 11.3 | 18.0 | .01 | 10 | 635 | 622 | 628 | 634 | E | — | YIS | 2-19-03 | |
| 597-7701-207 | SUPER RED GREEN | 10 | 2.0 | 2.5 | 4.5 | 11.3 | 18.0 | .01 | 10 | 635 | 622 | 628 | 634 | E | — | YIS | 2-19-03 | |

| REV. | ECN NO. | REVISIONS | DRN. | CKD. | APP. | DATE |
|------|---------|-------------------|------|------|------|---------|
| A | — | NEW RELEASE | TC | D.C | N.O. | 7-19-99 |
| B | — | UPDATED LED SPEC. | YIS | | | |



- NOTE:
1. EPOXY COLOR: WATER CLEAR.
 2. DIE: GaP FOR GREEN AND GaAsP/GaP FOR RED.
 3. LEADS: SOLDER PLATED.
 4. SOLDER ADHERANCE: BOTH LEADS PER MIL-STD-202E, METHOD 208C.
 5. PART TAPED AND REELED PER EIA-RS-481-1.
 6. SUFFIX -202 FOR 20 PCS ON A SAMPLE TAPE STRIP.
 7. SUFFIX -207 FOR 7" DIAMETER REEL, PACKAGED 1500 PCS PER REEL.
 8. LABELING FOR REEL AND OUTSIDE OF ALUMINUM FOIL BAG: DIALIGHT P/N, R/G BICOLOR, QUANTITY PER REEL, DATE CODE, INTENSITY BIN CODE, LOT NUMBER AND COUNTRY OF ORIGIN.
 9. DIALIGHT P/N: 597-7701-202, 597-7701-207.
 10. TAPE AND REEL LEDS MAY REQUIRE RE-TAPING AFTER TWELVE MONTHS.

| ABSOLUTE MAXIMUM RATING AT 25°C AMBIENT | 597-7701-XXX | | UNITS |
|---|---------------------------|---------------------------|-------|
| | 202 SUPER RED GREEN | 207 SUPER RED GREEN | |
| POWER CONSUMPTION | 95 | | mW |
| CONTINUOUS FORWARD CURRENT | 30 | | mA |
| REVERSE VOLTAGE | 5 | | V |
| OPERATING TEMPERATURE | -40 TO +100 | | °C |
| STORAGE TEMPERATURE | | | |



| | | |
|---|--|---------------|
| THIS DRAWING AND THE CONTENTS HEREIN ARE CONFIDENTIAL AND THE SOLE PROPERTY OF DIALIGHT. REPRODUCTION OF THIS DRAWING OR CONSTRUCTION OF ANY PARTS WITHIN THIS DRAWING ARE FORBIDDEN WITHOUT THE WRITTEN CONSENT OF DIALIGHT. | | |
| SCALE NONE | DRAWING NUMBER | REV |
| ALL DIM'S IN: INCHES (MM) | C-16568 | B |
| TOLERANCES: UNLESS OTHERWISE SPECIFIED | TITLE R/G BI-COLOR | |
| FRACTIONS: ±1/64 | MATERIAL | |
| DECIMALS (.XX): ±.01 | Dialight 1501 ROUTE 34 SOUTH FARMINGDALE, NJ 07727 | |
| DECIMALS (.XXX): ±.008 | | |
| ANGLES: ±1° | FSCM 83330 | |
| FINISH: | SHEET OF | FAMILY TABLE: |