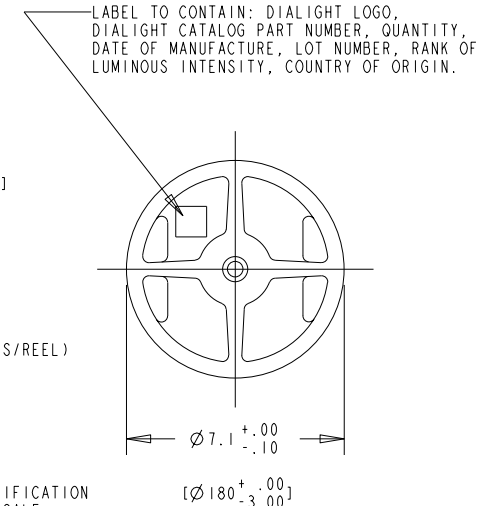
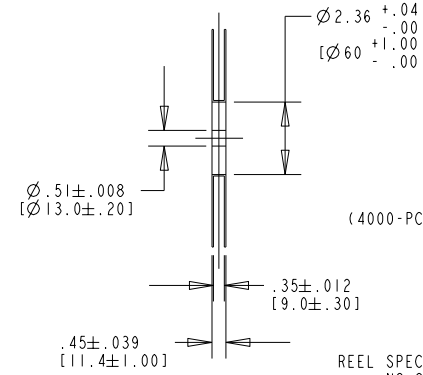
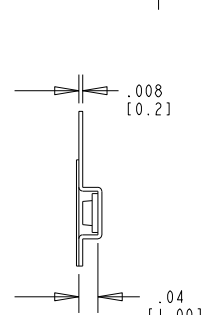
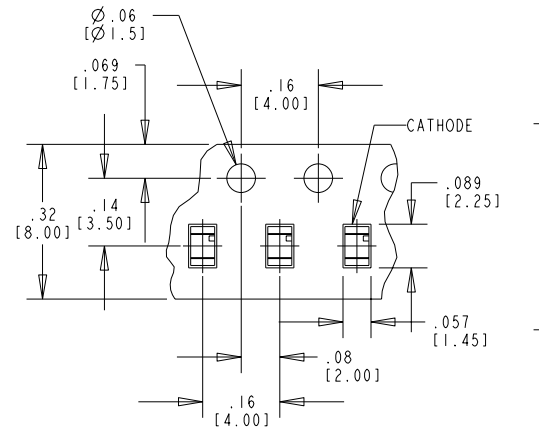
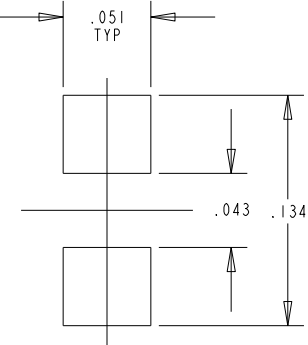
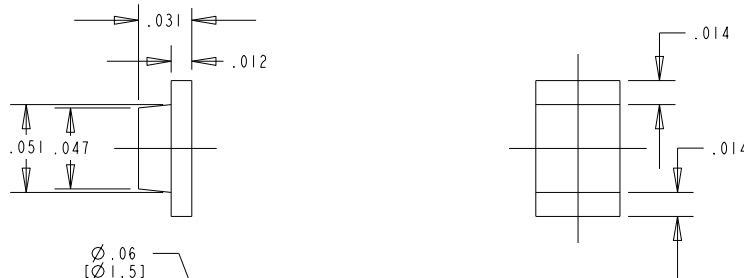
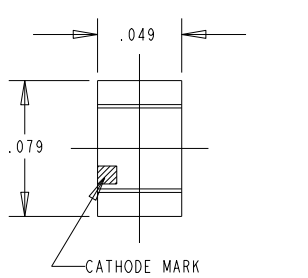


OPERATING CHARACTERISTICS AT 25 °C AMBIENT

DIALIGHT P/N	LED CHIP MATERIAL	COLOR	EPOXY COLOR	I _F (mA)	FORWARD VOLTAGE (V)		LUMINOUS INTENSITY (mcd)			REVERSE CURRENT (μA)	PEAK WAVELENGTH (nm)	DOMINANT WAVELENGTH (nm)			VIEWING ANGLE (DEGREES)	REVISIONS			
					TYP.	MAX.	MIN.	TYP.	MAX.	MAX.		MIN.	TYP.	MAX.		REV.	ECN.	DRN.	DATE
597-5111-407	AlGaAs	RED	WHITE DIFFUSED	20	1.7	2.3	7.0	11.7	16.4	100	660	642	647	653	150	C	—	YIS	2-19-03
597-5202-407	GaP	ORANGE		20	2.2	2.8	2.2	3.7	5.2	100	605	600	606	612	160	C	—	YIS	2-19-03
597-5311-407	GaP	GREEN		20	2.1	2.8	3.8	6.4	9.0	100	560	562	567	573	160	D	—	YIS	2-19-03
597-5411-407	GaP	YELLOW		20	2.1	2.8	7.0	11.7	16.4	100	570	570	572	577	160	C	—	YIS	2-19-03

LTR.	ECN NO.	REVISIONS	DRN.	CKD.	APP.	DATE
A	—	NEW RELEASE	T.C.		N.O.	3-6-98
B	—	ADDED P/N: 597-5202-407.	M.C.	DC	A.V.	11-6-98
C	—	ADDED NOTE 6.	T.C.	DC	N.O.	6-9-99
D	—	UPDATED LUMINOUS INTENSITY. ADDED DOMINANT WAVELENGTH. REDUCED SHEET TO B SIZE.	YIS			



NOTES:

1. SOLDER TERMINALS: GOLD PLATED.
2. SOLDER ADHERENCE: EACH PAD PER MIL-STD-202E, METHOD 208C.
3. TAPE AND REEL AS PER EIA STANDARD 481-1 WITH CATHODE TOWARD SPROCKET.
4. PARTS PACKAGED ON 180 mm DIA. REEL, 8 mm TAPE, 4000/REEL (SEE SKETCH).
5. DIALIGHT PART NUMBERS: 597-5111-407, 597-5202-407, 597-5311-407, 597-5411-407.
6. TAPE AND REEL LEDS MAY REQUIRE RE-TAPING AFTER TWELVE MONTHS.

ABSOLUTE MAXIMUM RATING AT 25°C AMBIENT	RED	YELLOW GREEN ORANGE	UNITS
POWER DISSIPATION	57.5	70	mW
CONTINUOUS FORWARD CURRENT	25		mA
PEAK FORWARD CURRENT (< 1/20 DUTY CYCLE T _w < 1 msec)	60		mA
DERATE LINEAR FROM 25 °C	.36		mA/°C
REVERSE VOLTAGE	4		V
OPERATING TEMPERATURE	-30 TO +85		°C
STORAGE TEMPERATURE	-40 TO +100		°C
DIP SOLDERING FOR 5 SEC. MAX.	260		°C
IRON SOLDERING TEMPERATURE (t < 3 SEC)	280		°C

THIS DRAWING AND THE CONTENTS HEREIN ARE CONFIDENTIAL AND THE SOLE PROPERTY OF DIALIGHT. REPRODUCTION OF THIS DRAWING OR CONSTRUCTION OF ANY PARTS WITHIN THIS DRAWING ARE FORBIDDEN WITHOUT THE WRITTEN CONSENT OF DIALIGHT.		
SCALE: DRAWING SCALE ALL DIM'S IN: INCHES (MM)	DRAWING NUMBER C-16349	REV D
TOLERANCES: UNLESS OTHERWISE SPECIFIED FRACTIONS: ±1/64 DECIMALS (.XX): ±.01 DECIMALS (.XXX): ±.005 DECIMALS (.XXXX): ±.0005 ANGLES: ±1°	TITLE SMT LED	
FINISH:	MATERIAL	
FSCM 83330	Dialight	1501 ROUTE 34 SOUTH FARMINGDALE, NJ 07727
	SHEET OF	FAMILY TABLE: