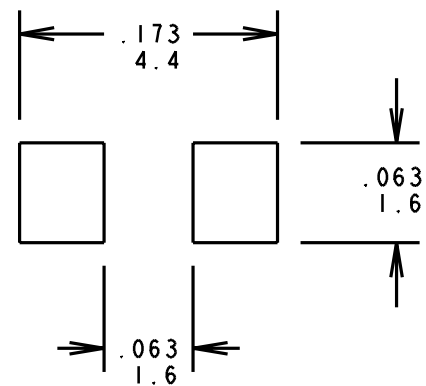
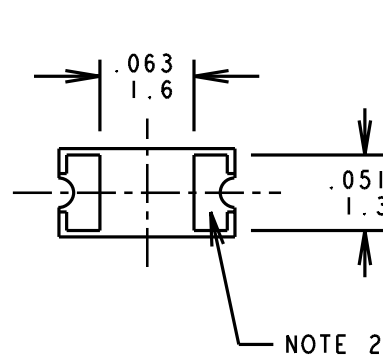
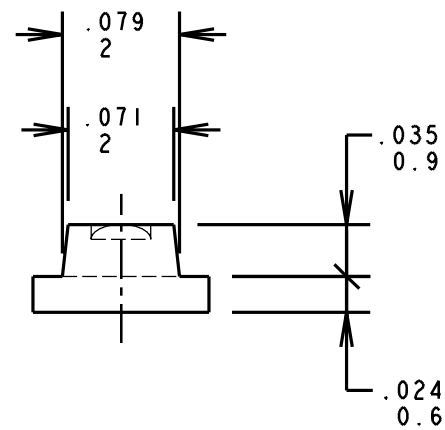
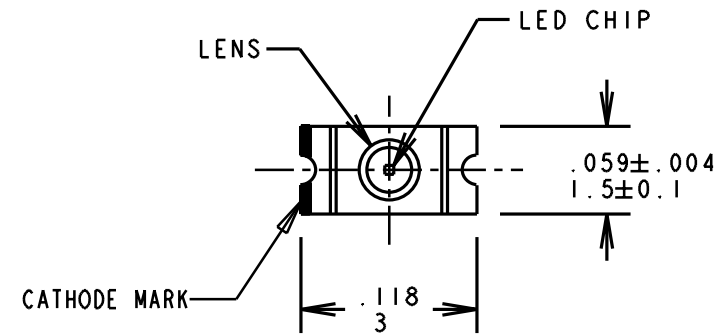


REV.	ECN NO.	REVISIONS	DRN.	CKD.	APP.	DATE
A		NEW RELEASE	MC		HG	4-22-94
B		ADDED NOTES 6 AND 7.	TC			



RECOMMENDED SOLDER PAD LAYOUT

OPERATING CHARACTERISTICS AT 25 ° C AMBIENT					
LED CHARACTERISTICS	MIN.	TYP.	MAX.	UNITS	TEST CONDITIONS
LUMINOUS INTENSITY	5.0	9.0		mcd	$I_f = 20 \text{ mA}$
FORWARD VOLTAGE		2.2	2.5	V	$I_f = 20 \text{ mA}$
PEAK WAVELENGTH		605		nm	
2 X 1/2-INTENSITY ANGLE		70		DEGREES	
ABSOLUTE MAXIMUM RATINGS AT 25 ° C AMBIENT					
POWER DISSIPATION	75 mW				
DERATE LINEARLY FROM 25 ° C	.42 mA/ ° C				
CONTINUOUS FORWARD CURRENT	30 mA				
PEAK FORWARD CURRENT	70 mA				
PEAK REVERSE VOLTAGE ( $I_R = 100 \mu\text{A}$ )	4 V				
OPERATING TEMPERATURE	-30 ° C TO +85 ° C				
STORAGE TEMPERATURE	-40 ° C TO +100 ° C				
WAVE SOLDERING	256 ° C FOR 5 SEC.				
VAPOR PHASE SOLDERING	215 ° C FOR 3 MIN.				
REFLOW SOLDERING PRE-HEAT 120 ° C TO 150 ° C, 60-120 SEC.	240 ° C FOR 5 SEC.				
SOLDER DIP	260 ° C FOR 5 SEC.				

NOTES:

- DIE: GaAsP/GaP (ORANGE LED).
- SOLDER PADS: COPPER BASE, GOLD PLATED.
- SUFFIX -402 FOR 20-PCS ON A SAMPLE TAPE STRIP.
- SUFFIX -407 FOR 7" DIA. REEL, .315" (8mm) WIDE TAPE, PACKAGED 2500-PCS PER REEL WITH A PITCH OF .157" (4mm).
- DEVICES POSITIONED ON REEL WITH CATHODE SIDE TOWARDS SPROCKET.
- TAPE AND REEL LEDS MAY REQUIRE RE-TAPING AFTER TWELVE MONTHS.
- DIALIGHT PART NUMBER: 597-3201-402, -407.

THIS DRAWING AND THE CONTENTS HEREIN ARE CONFIDENTIAL AND THE SOLE PROPERTY OF DIALIGHT. REPRODUCTION OF THIS DRAWING OR CONSTRUCTION OF ANY PARTS WITHIN THIS DRAWING ARE FORBIDDEN WITHOUT THE WRITTEN CONSENT OF DIALIGHT.		
SCALE 8:1	DRAWING NUMBER	REV
ALL DIM'S IN: INCHES	C-16213	B
TOLERANCES: UNLESS OTHERWISE SPECIFIED	TITLE ORANGE SMT LED	
FRACTIONS: ±1/64	MATERIAL	
DECIMALS (.XX): ±.020	Dialight	
DECIMALS (.XXX): ±.015	1913 ATLANTIC AVE.	
ANGLES: ±1°	MANASQUAN, N.J. 08736	
FINISH:	FSCM 83330	SHEET OF FAMILY TABLE: