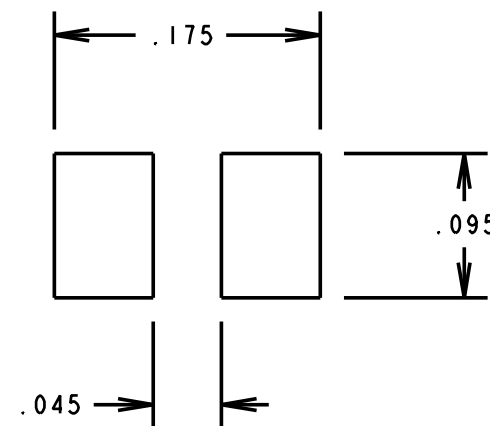
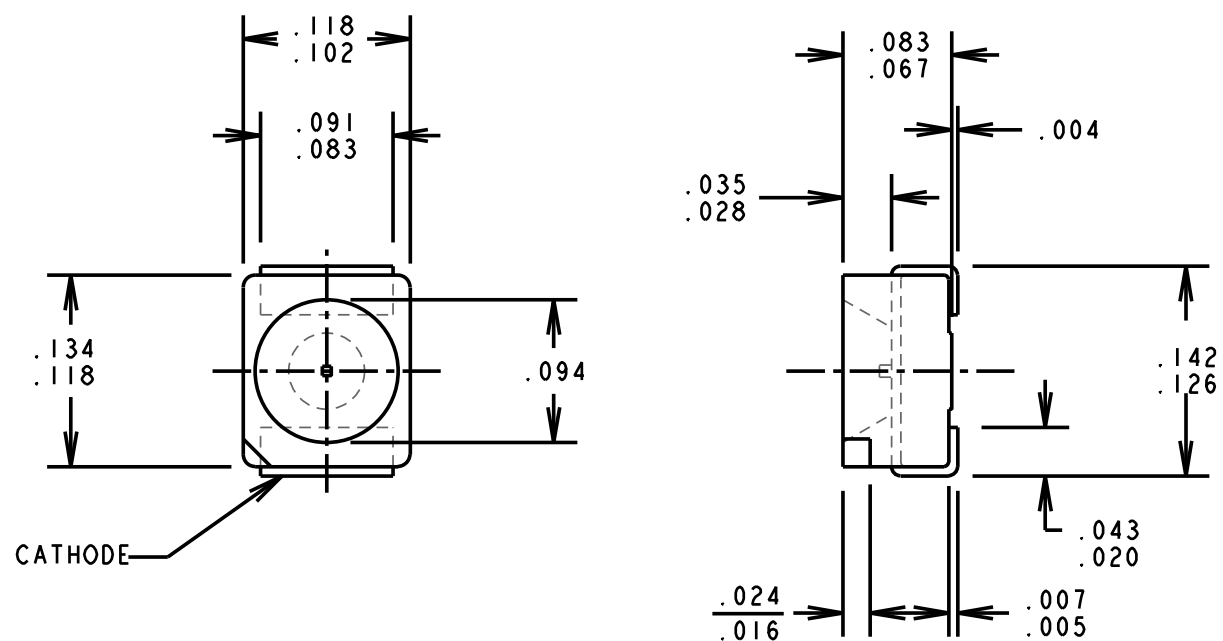


REV.	ECN NO.	REVISIONS	DRN.	CKD.	APP.	DATE
A	—	NEW RELEASE	MC		HG	4-22-94
B	—	ADDED NOTES 8 AND 9.	TC	DC	NO	6-9-99
C	—	CATHODE WAS ANODE. ADDED DOMINANT WAVELENGTH TO CHARACTERISTICS TABLE.	JAV			



RECOMMENDED SOLDER PAD LAYOUT

OPERATING CHARACTERISTICS AT 25° C AMBIENT

LED CHARACTERISTICS	MIN.	TYP.	MAX.	UNITS	TEST CONDITIONS
LUMINOUS INTENSITY	10	20		mcd	$I_f = 10 \text{ mA}$
FORWARD VOLTAGE		1.75	2.6	V	$I_f = 10 \text{ mA}$
PEAK WAVELENGTH		660		nm	
2 X 1/2-INTENSITY ANGLE		120		DEGREES	
CAPACITANCE		25		pF	$V_r = 0 \text{ V}, f = 1 \text{ MHz}$
DOMINANT WAVELENGTH		645		nm	$I_f = 10 \text{ mA}$

ABSOLUTE MAXIMUM RATINGS AT 25° C AMBIENT

POWER DISSIPATION	100 mW
DERATE LINEARLY FROM 55° C	.67 mA/°C
CONTINUOUS FORWARD CURRENT	30 mA
PEAK PULSE CURRENT ($t \leq 10 \mu\text{s}$)	0.5 A
PEAK REVERSE VOLTAGE	3 V
SOLDERING PROFILE: IR 235°C PEAK, 15 SEC., 185°C 90 SEC. MAX.	
OPERATING TEMPERATURE	-55°C TO +100°C
STORAGE TEMPERATURE	-55 C TO +100°C

NOTES:

1. EPOXY COLOR: WATER CLEAR.
2. DIE: GaAlAs RED LED.
3. LEADS: 80/20 Sn/Pb SOLDER PLATED.
4. SOLDER ADHERANCE: BOTH LEADS PER MIL-STD-202E, METHOD 208C.
5. SUFFIX -202 FOR 20-PCS ON A SAMPLE TAPE STRIP.
6. SUFFIX -207 FOR 180 mm DIA. REEL, 8 mm WIDE TAPE, PACKAGED 2000-PCS PER REEL WITH A PITCH OF 4 mm.
7. DEVICES POSITIONED ON REEL WITH CATHODE SIDE TOWARDS SPROCKET.
8. TAPE AND REEL LEDS MAY REQUIRE RE-TAPING AFTER TWELVE MONTHS.
9. DIALIGHT PART NUMBER: 597-3121-202, -207.

THIS DRAWING AND THE CONTENTS HEREIN ARE CONFIDENTIAL AND THE SOLE PROPERTY OF DIALIGHT. REPRODUCTION OF THIS DRAWING OR CONSTRUCTION OF ANY PARTS WITHIN THIS DRAWING ARE FORBIDDEN WITHOUT THE WRITTEN CONSENT OF DIALIGHT.

SCALE 8:1	DRAWING NUMBER	REV
ALL DIM'S IN: INCHES (MM)	C-15872	C
TOLERANCES: UNLESS OTHERWISE SPECIFIED	TITLE	
FRACTIONS: $\pm 1/64$	RED SMT LED	
DECIMALS (.XX): $\pm .020$	MATERIAL	
DECIMALS (.XXX): $\pm .015$	Dialight	
ANGLES: $\pm 1^\circ$	1501 ROUTE 34 SOUTH FARMINGDALE, NJ 07727	
FINISH:	FSCM 83330	SHEET OF FAMILY TABLE: