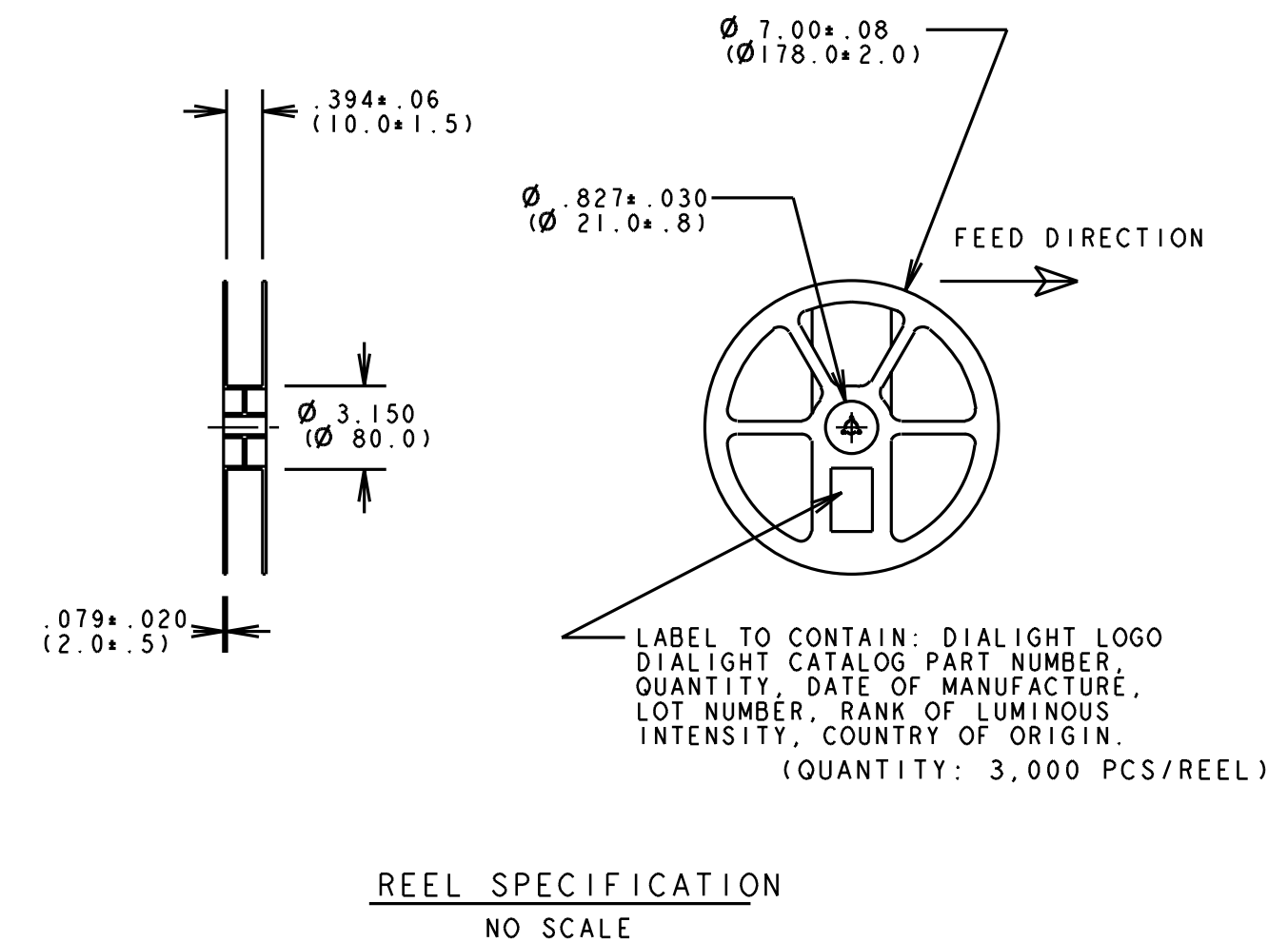
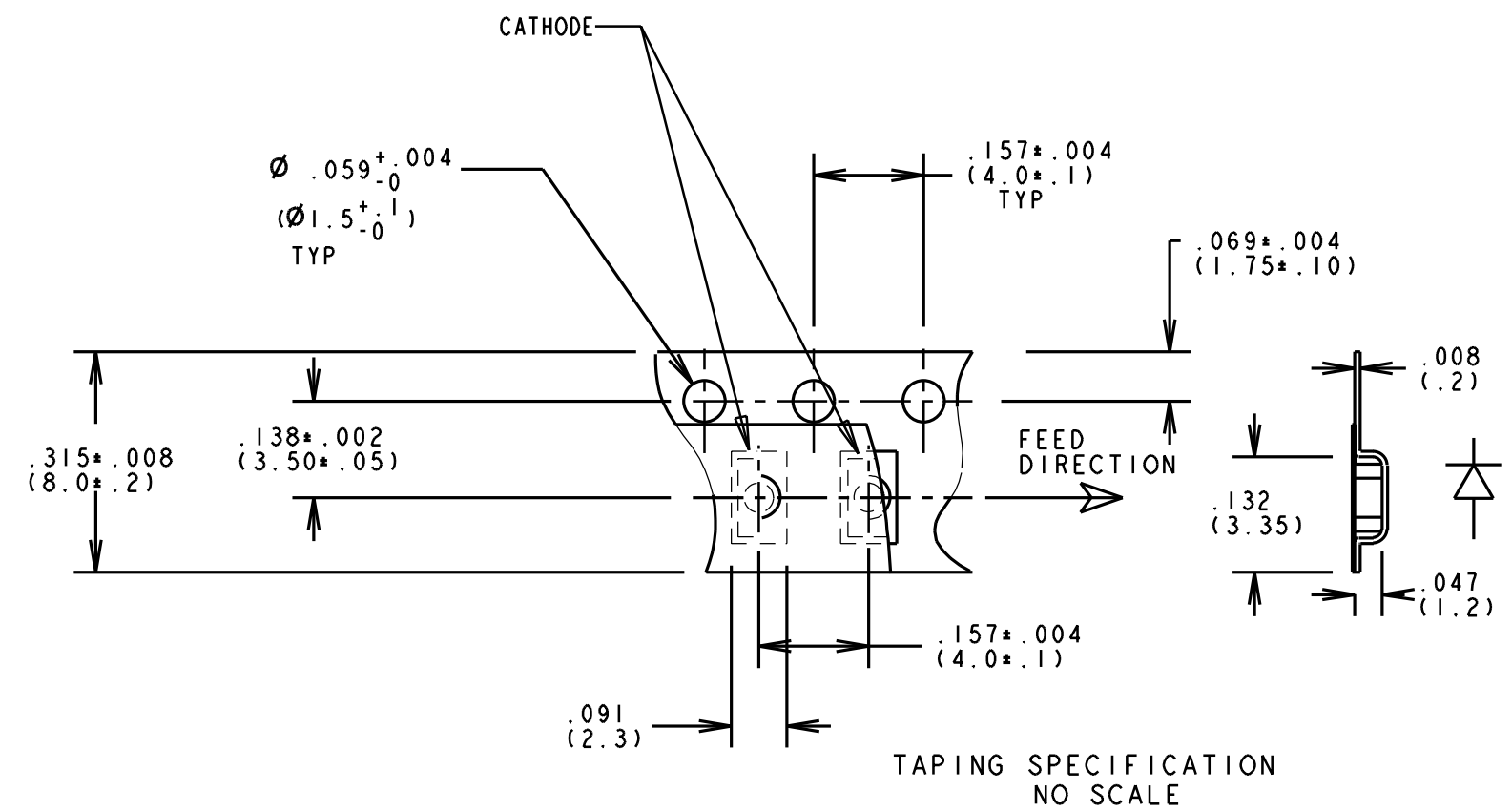
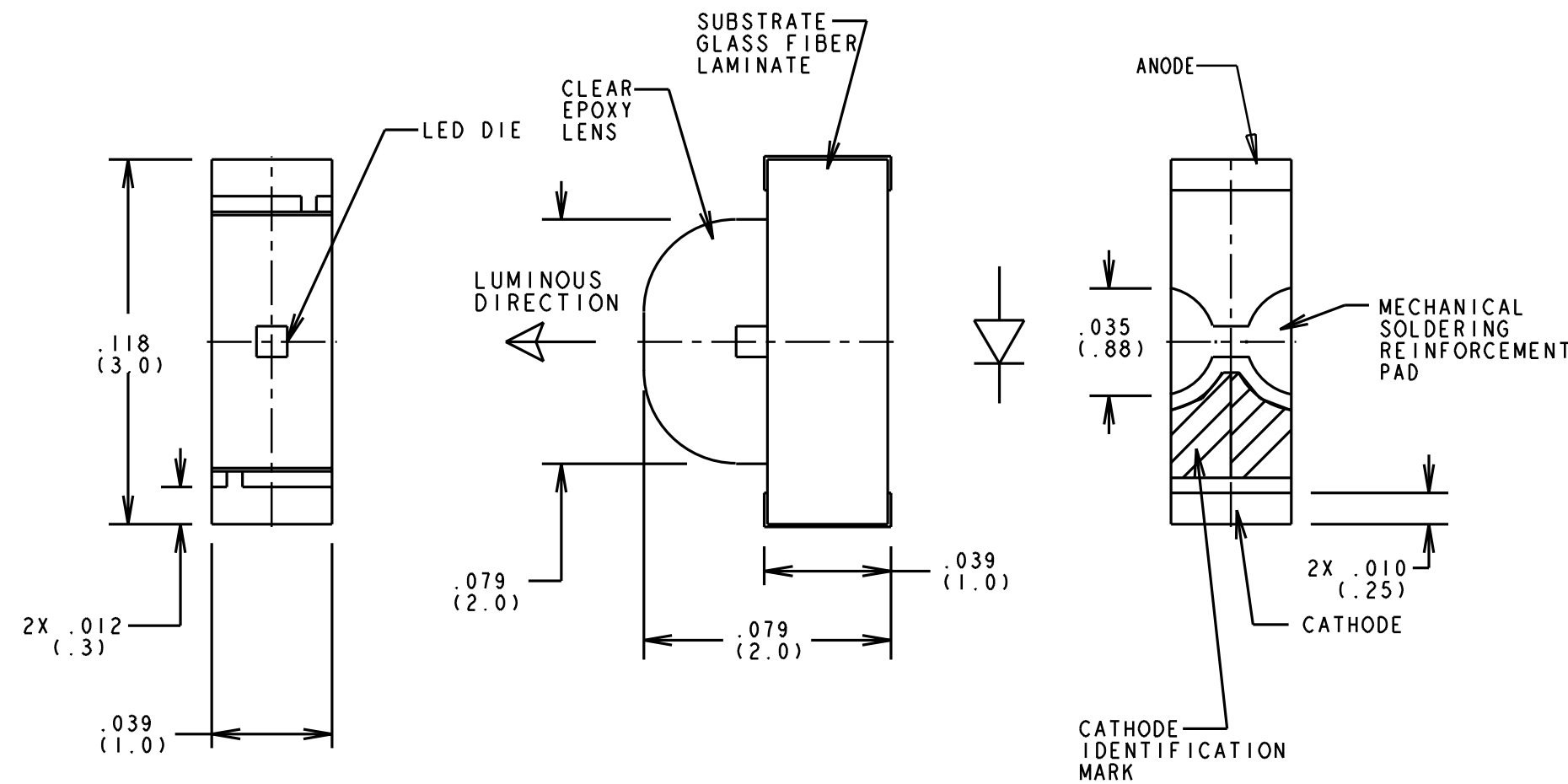


DIALIGHT CATALOG P/N	COLOR WATER CLEAR EPOXY LENS	FORWARD CURRENT $I_f$ (mA)	PEAK EMISSION WAVELENGTH $\lambda_{PK}$ (nm) $I_f = 20\text{mA}$	SPECTRAL LINE HALF WIDTH $\Delta\lambda$ (nm) $I_f = 20\text{mA}$ TYP	LUMINOUS INTENSITY (mcd) @ $I_f = 20\text{mA}$ ; 25°C		FORWARD VOLTAGE (V) @ $I_f = 20\text{mA}$ ; 25°C		REVERSE CURRENT ( $\mu\text{A}$ ); 25°C MAX.	VIEWING ANGLE (2 $\theta$ 1/2 (DEG.)) TYP
					MIN.	TYP.	TYP.	MAX.		
597-2111-407	RED	25	660	30	6.2	12.4	1.7	2.3	100 @ $V_R = 4\text{V}$	130
597-2201-407	AMBER	25	605	30	1.5	3.0	2.2	2.8	100 @ $V_R = 4\text{V}$	130
597-2311-407	GREEN	25	560	30	2.6	5.2	2.1	2.8	100 @ $V_R = 4\text{V}$	130
597-2401-407	YELLOW	25	580	30	1.5	3.0	2.2	2.8	100 @ $V_R = 4\text{V}$	130
597-2413-407	YELLOW	25	570	30	4.4	8.8	2.1	2.8	100 @ $V_R = 4\text{V}$	130

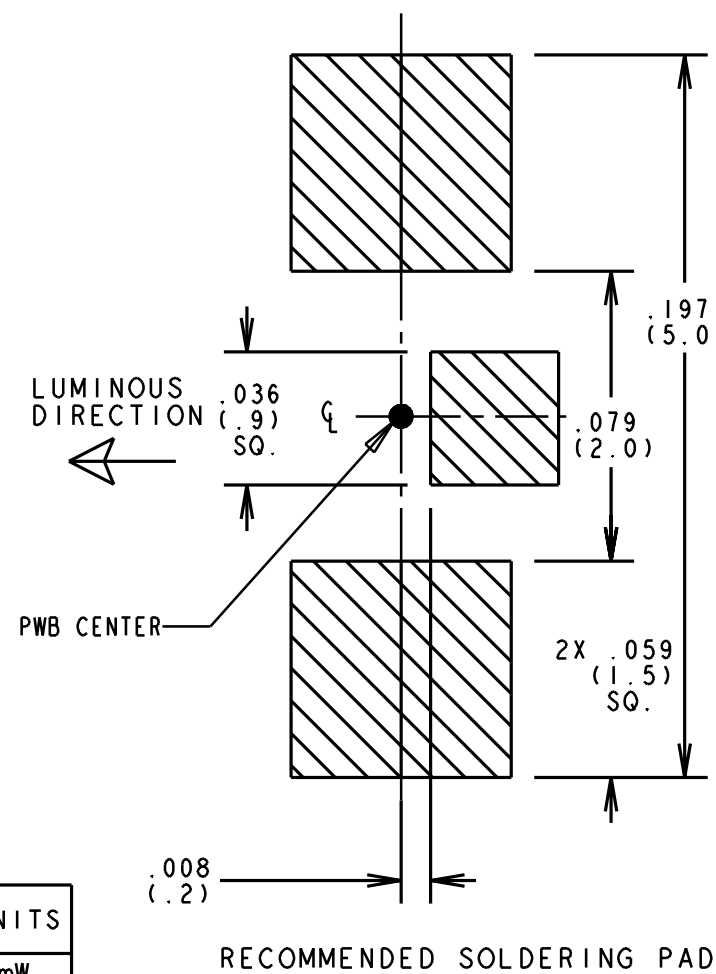
REV.	ECN NO.	REVISIONS	DRN.	CKD.	APP.	DATE
A		NEW RELEASE	TC		N.O.	3-5-97
B		ADDED NOTES 10 AND 11.	TC	D.C.	N.O.	6-10-99
C		ADDED P/N 597-2413-407.	TC			



NOTES:

- DIE: GaAlAs FOR RED, GaAsP/GaP FOR AMBER & YELLOW AND GaP FOR GREEN.
- EPOXY COLOR: WATER CLEAR.
- SOLDER PAD: COPPER BASE, GOLD PLATED.
- SOLDER ADHERANCE PER MIL. STD. 202E, METHOD 208C.
- PARTS TO BE TAPED AND REELED PER EIA-RS-481-1
- PACKAGE 3,000 PIECES PER REEL WITH ALL PARTS ON ONE REEL FROM SAME LOT AND SAME BIN CATEGORY.
- REEL PACKED IN ANTI-HUMIDITY ALUMINIUM FOIL BAG, HEAT SEALED WITH SILICA GEL AND INDICATOR FOR MOISTURE LEVEL. LABEL ON BAG TO CONTAIN SAME INFORMATION AS LABEL ON REEL.
- STATIC ELECTRICITY TO BE MAINTAINED AT LESS THEN 100V (BY CONTROLLING THE HUMIDITY).
- TAPE PEELING SPEED TO BE 10mm/SEC OR LESS.
- TAPE AND REEL LEDS MAY REQUIRE RE-TAPING AFTER TWELVE MONTHS.
- DIALIGHT PART NUMBER: 597-2111-407, 597-2201-407, 597-2311-407, 597-2401-407, 597-2413-407

ABSOLUTE MAXIMUM RATINGS AT 25 °C	P/N 597-					UNITS
	2111-407	2201-407	2311-407	2401-407	2413-407	
POWER DISSIPATION	57.5	70	70	70	70	mW
PEAK FORWARD CURRENT	60	60	60	60	60	mA
DERATING LINEAR ABOVE 25 °C	.36	.36	.36	.36	.36	mA/°C
REVERSE VOLTAGE	4	4	4	4	4	V
OPERATING TEMPERATURE RANGE	-30 TO +85					°C
STORAGE TEMPERATURE	-40 TO +100					°C



THIS DRAWING AND THE CONTENTS HEREIN ARE CONFIDENTIAL AND THE SOLE PROPERTY OF DIALIGHT. REPRODUCTION OF THIS DRAWING OR CONSTRUCTION OF ANY PARTS WITHIN THIS DRAWING ARE FORBIDDEN WITHOUT THE WRITTEN CONSENT OF DIALIGHT.

SCALE 20:1	DRAWING NUMBER	REV
ALL DIM'S IN: INCHES	C-16198	C
TOLERANCES: UNLESS OTHERWISE SPECIFIED	TITLE	
FRACTIONS: ±1/64	RIGHT ANGLE SURFACE MOUNT LED	
DECIMALS (.XX): ±.020	MATERIAL	
DECIMALS (.XXX): ±.015	Dialight	
ANGLES: ±1°	1913 ATLANTIC AVE.	
FINISH:	MANASQUAN, N.J. 08736	
FSCM 83330	SHEET OF	FAMILY TABLES: